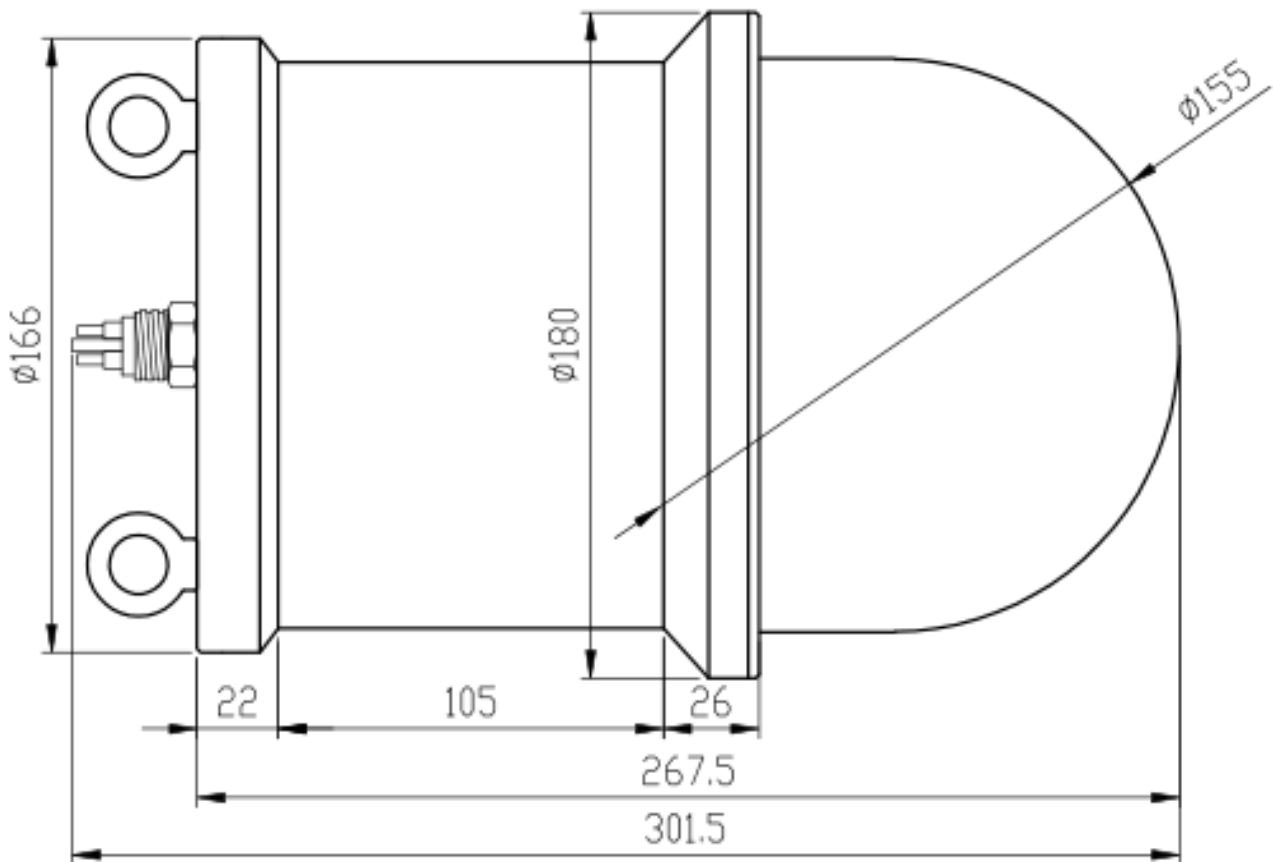


## Underwater Network Salmon Camera





## Product Feature

- Pan 360° free Rotation / Tilt 180°
- Ruggy and affordable
- ONVIF Kamera
- Programmable functions: Focus, iris, day/night, white balance, etc
- Data and power transfer by two wire
- 1 Year Warranty

## Specifications Camera

Image Sensor	1/2.8" Progressive Scan CMOS
Resolution	1920 x 1080
Signal to noise ratio	>50dB (AGC off )
Electronic shutter	1-1/10,000s
Horizontal view angle	58.3-3.2 degrees (wide-angle telescope)
Movement range	Pan 360° (endless ) Tilt 180°
Optical zoom	20X
Sensitivity	Color: 0.05Lux @ (F1.6, AGC ON) BW: 0.01Lux @ (F1.6, AGC ON)
Resolution and frame rate	50Hz:25fps(1920×1080)、25fps(1280×720) 60Hz:30fps(1920×1080)、30fps(1280×720)
Video compression	H.265/H.264/MJPEG
LED Light Source	4pcs x 3W
Camera Size	Φ327.16mm*387mm
Connector	MCBH2M
Working Temperature	-10°C~50°C
Working Depth	100 meter
Interface type	RJ45
Power supply	48V
Window	Optical Acrylic
Housing	SS316 ( Aluminium 6061-T6 )
Weight in Air	10 KG (ss 316)

## PLC Network Receive



## Specifications PLC

Item	PLC Network Receiver
Power input	AC85V-245V 50/60HZ
Power output	DC48V
Max current	1.2A
Max capacity	220W
Speed	200Mbps
Max distance	600M
Network port	1*RJ45
Standard	IEEE802.11a IEEE802.3u IEEE802.3ab
Compatibility	200Mbps 300Mbps
Cable required	>2*0.5 <sup>2</sup>
Shell material	ABS
Operating temperature	-20°C~40°C
Operating humidity	10%~90%RH
Operating frequency	1.8-30MHZ
Dimension	125*60*40mm

## Connecting

### WIRING DIAGRAM

